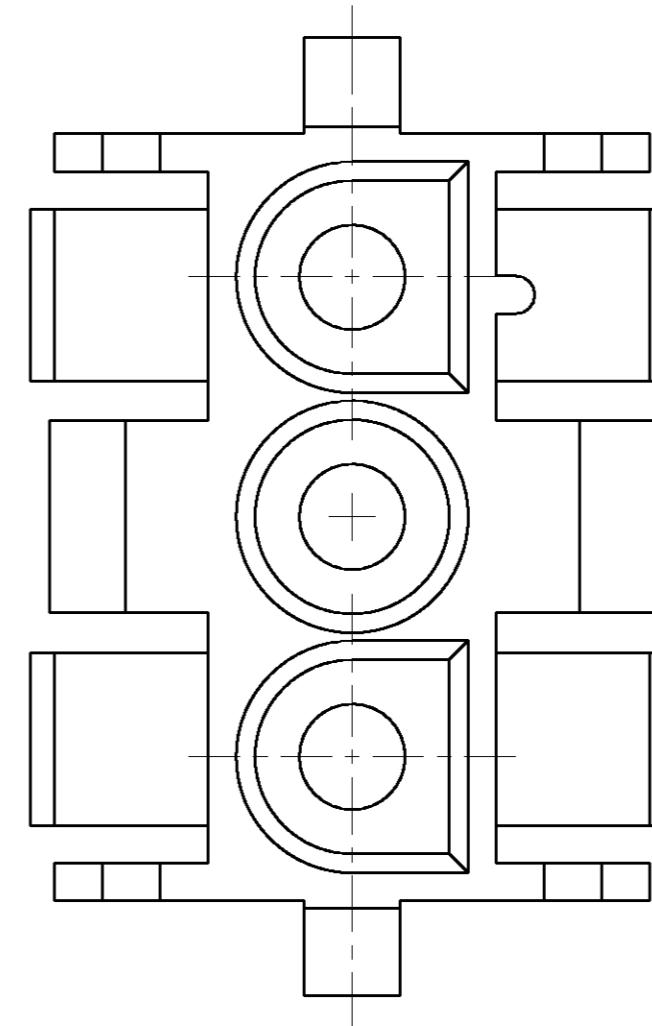
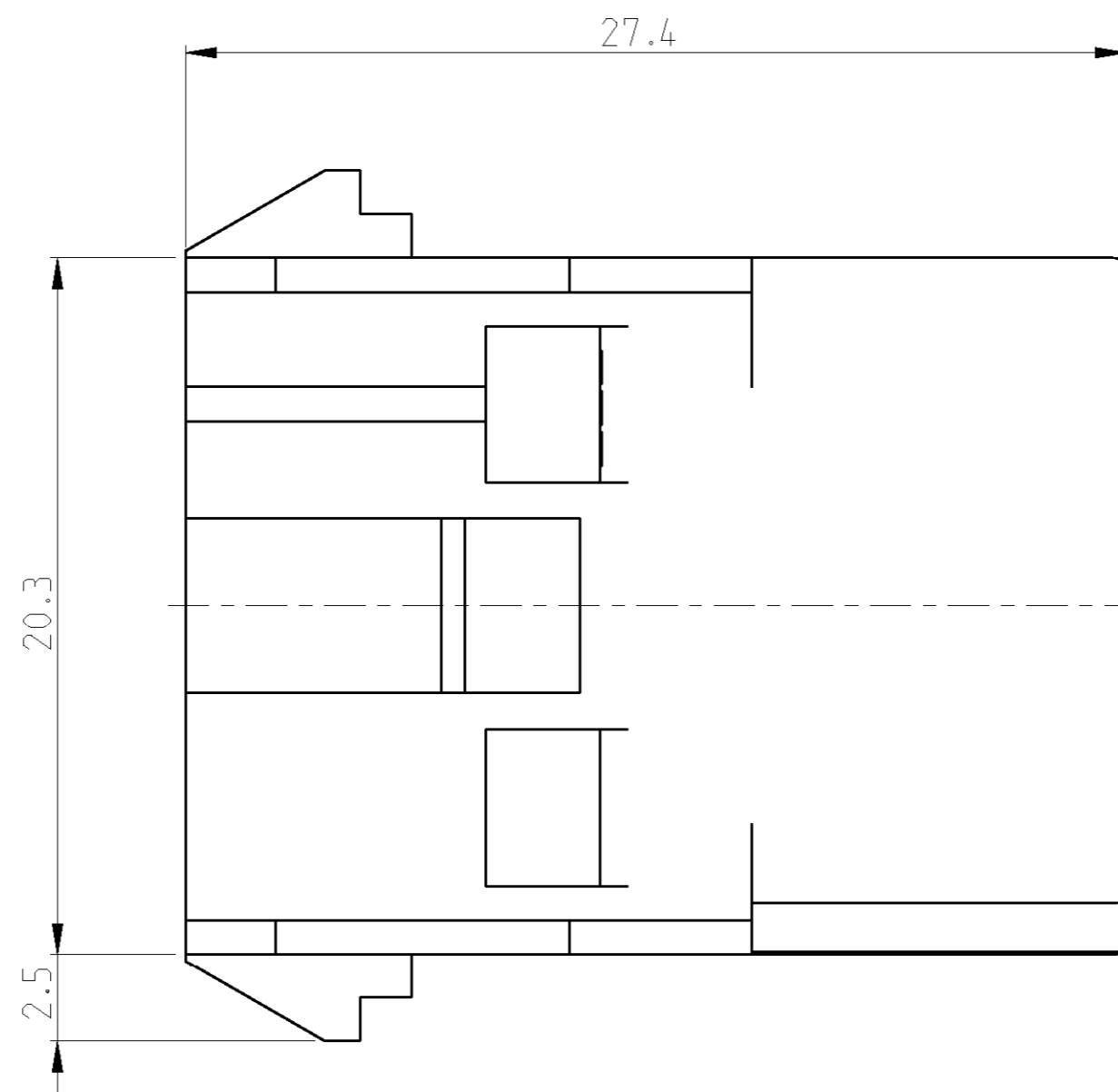
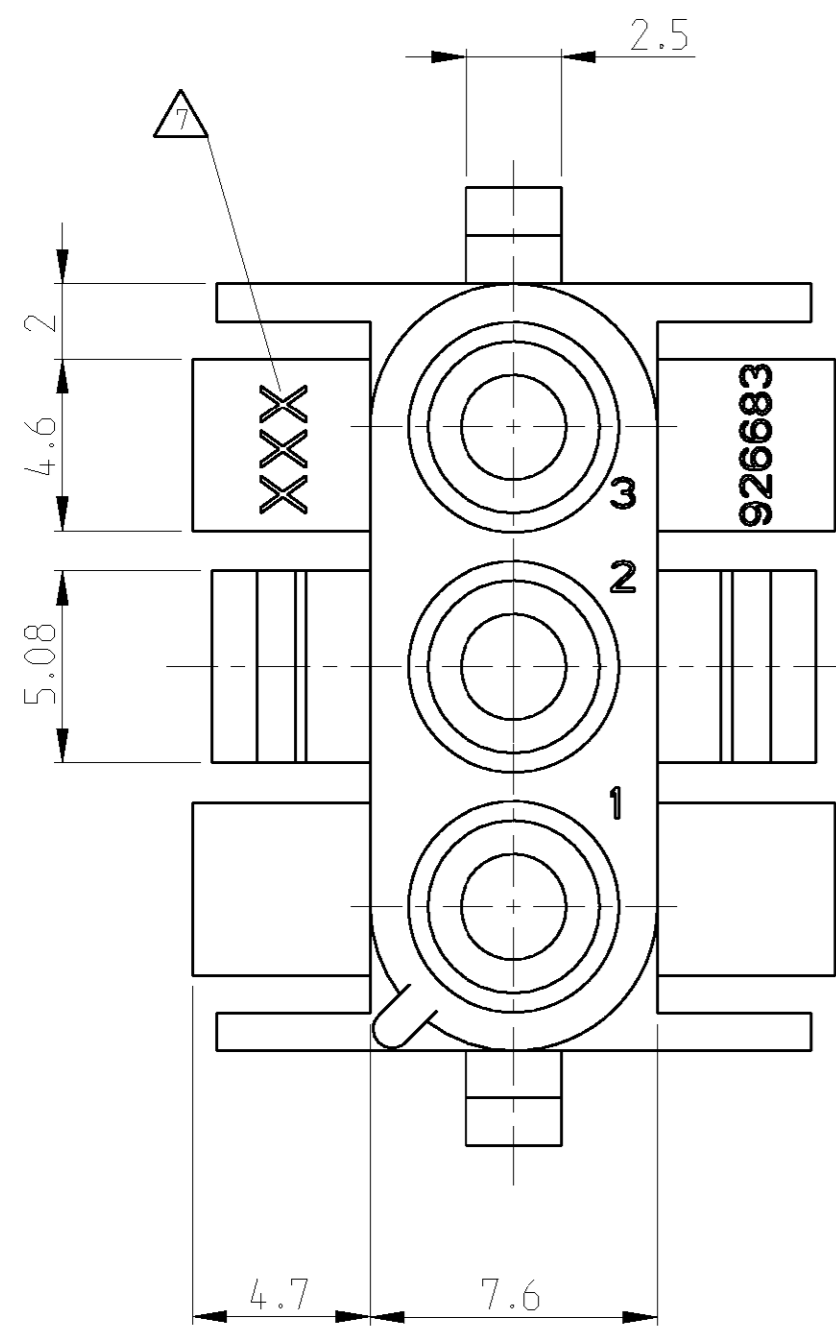
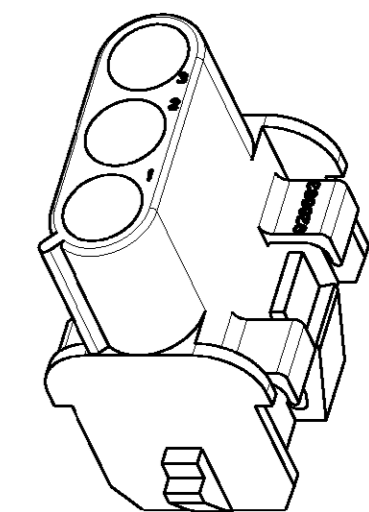
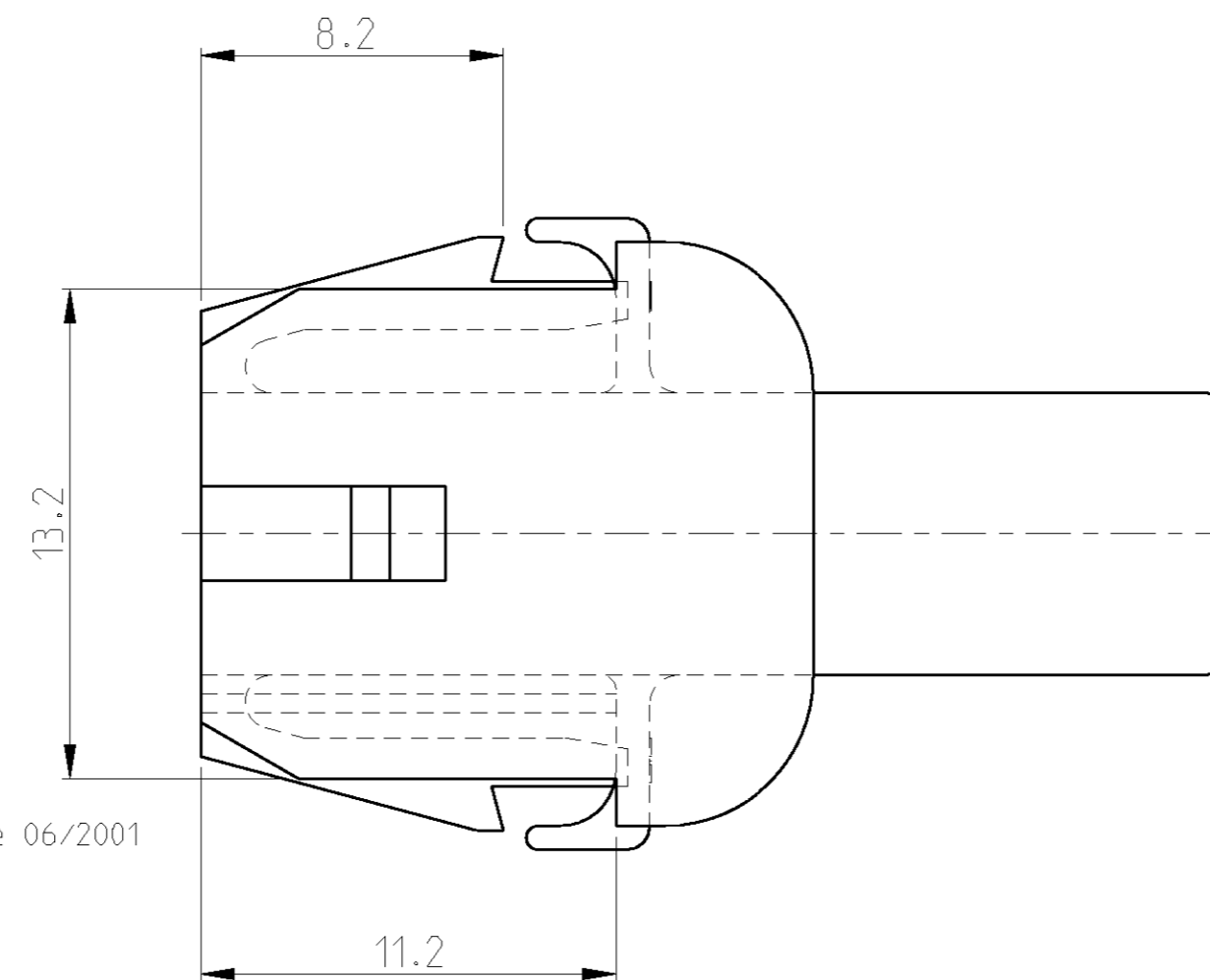
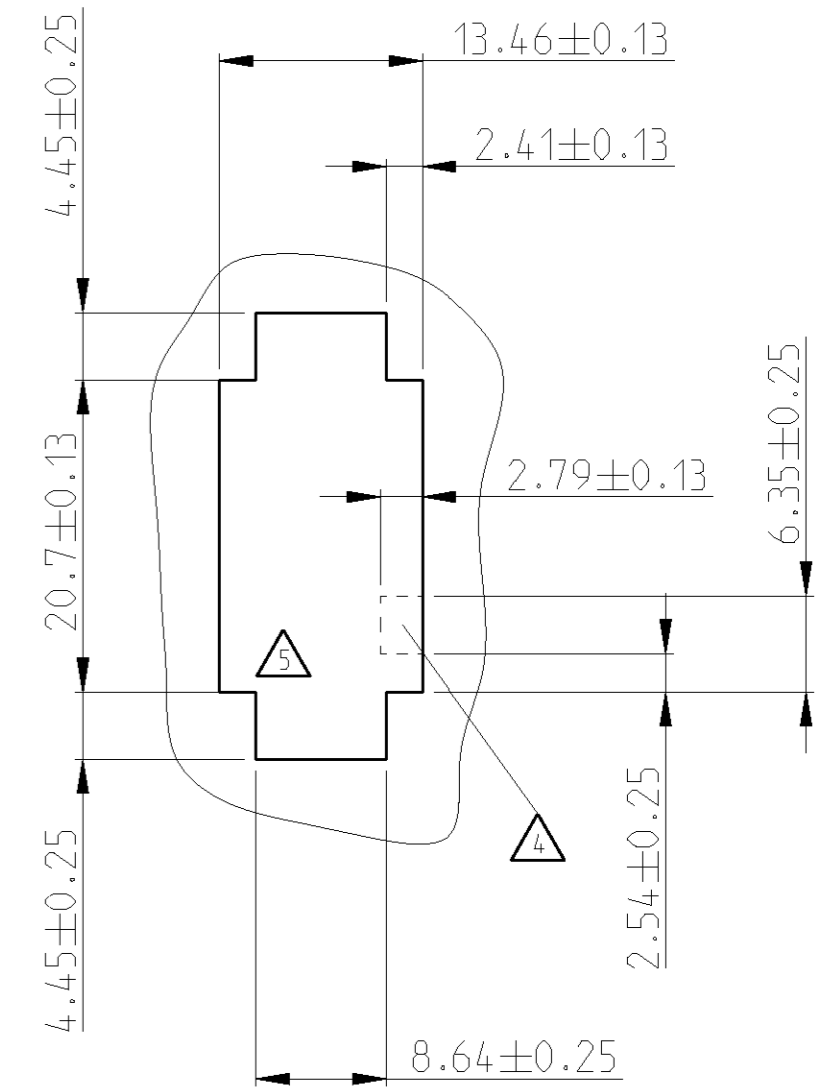


THIS DRAWING IS UNPUBLISHED. RELEASED FOR PUBLICATION 2003  
 © COPYRIGHT 2003 BY TYCO ELECTRONICS CORPORATION. ALL RIGHTS RESERVED.

LOC	DIST	REVISIONS					
		P	LTR	DESCRIPTION	DATE	DWN	APVD
A1	-	D2		CAD-Zeichnung erstellt	04MAR2003	Abr	H.K.
		D3		PN -7 Added	03NOV2007	W.H.	W.H.



Montageausschnitt/PANEL CUT OUT  
 Bestückungsseite/LOADING SIDE  
 M 2:1 / SCALE 2:1



Bemerkungen  
 NOTES

- 1 Geeignet für UMNL Stift- und Buchsenkontakte  
 BEEN SUITABLE FOR UMNL PIN- AND SOCKET CONTACTS
- 2 Empfohlene Blechstärke 0.75 - 2.3 mm  
 RECOMMEND SHEET METAL THICKNESS 0.75 - 2.3 mm
- 3 Gehäuse muß in Stanzrichtung eingeführt werden  
 HOUSING MUST BE INTRODUCED TO PUNCHING DIRECTION
- 4 Für verschlüsseltes Einsetzen der Gehäuse  
 FOR CODED USING OF THE HOUSINGS
- 5 Position von Kammer 1 bei verschlüsseltem Einsetzen  
 POSITION OF CAVITY 1 FOR CODED USING
- 6 Neues Material ( Phosphor und Halogen frei )  
 NEW MATERIAL ( PHOSPHORUS AND HALOGENOUS FREE )
- 7 Hersteller-Logo und Ländercode  
 nach AMP-Spez. 115-18016  
 BRANDNAME AND MANUFACTURING LOCATION CODE  
 ACCORDING SPEC. 115-18016
- 8 Glühdrahtprüfung 750 ° (ohne Flamme) nach IEC 60335-1 Ausgabe 06/2001  
 GWT 750 ° (WITHOUT FLAME) ACC. 60335-1 EDITION 06/2001
- 9 Schüttgut in Beutel und Versandkarton  
 BULK PACKAGING IN PLASTIC BAG AND CORRUGATED SHIPPING BOX

PART NO.	REV.	MATERIAL	COLOR
926683-7	A	PA6 UL 94 V2	natur/NATURAL <sup>8</sup>
926683-6	D	PA6.6 UL94 V-2 ZYTEL E103 HSL	natur/NATURAL
926683-5	D	PA6.6 UL94 V-2 ZYTEL ...135F	natur/NATURAL
926683-4	D	PA6.6 UL94 V-2 ZYTEL ...135F	weiß/WHITE
926683-3	D	PA6.6 UL94 V-0 ULTRAMID C3U	natur/NATURAL <sup>6</sup>
926683-2	D	PA6.6 UL94 V-2 ZYTEL ...135F	schwarz/BLACK
926683-1	D	PA6.6 UL94 V-2 ZYTEL EFE 1030-NC10	natur/NATURAL

THIS DRAWING IS A CONTROLLED DOCUMENT FOR TYCO ELECTRONICS CORPORATION IT IS SUBJECT TO CHANGE AND THE CONTROLLING ENGINEERING ORGANIZATION SHOULD BE CONTACTED FOR THE LATEST REVISION.		DWN Abraham.G. 04MAR03	tyco Electronics AMP GmbH D - 64625 Bensheim
DIMENSIONS: mm		CHK Kampmann.H. 05MAR03	
TOLERANCES UNLESS OTHERWISE SPECIFIED: 0 PLC ± 1 PLC ± 0.2 mm 2 PLC ± 3 PLC ± 4 PLC ± ANGLES ±		APVD I.Gerlach 03NOV07	NAME 3-pol.UMNL Aufnahmegehäuse UMNL 3-WAY CAP HOUSING
MATERIAL see table		PRODUCT SPEC 108-1031	SIZE A2
		APPLICATION SPEC 114-18011	CAGE CODE 00779
		WEIGHT 3.8 g	DRAWING NO 926683
		CUSTOMER DRAWING	RESTRICTED TO -
		SCALE 5:1	SHEET 1 OF 1
			REV D3